

# COSM Series

## Mini ChangeOver System

Continuous Gas Management



### Value Proposition:

The Mini ChangeOver System (COSM) from Parker is a compact, turnkey module that assists operators with their total gas management. Continuous gas delivery is maintained from two separate sources, allowing for maximum cylinder gas usage from one source before automatically switching to the second source. COSM lowers specialty gas costs by maximizing the consumption of gas from each cylinder.

### Product Features:

- Allows changeout of depleted cylinder(s) while maintaining gas flow
- Especially suited for continuous on-stream analyzers
- Compact design reduces footprint
- Maximum inlet pressure of 3,000 psig with 4 delivery options (100, 150, 200 or 250 psig)
- Outlet Regulator for constant or steady line pressure during changeover
- Regulator design integrates positive upward and downward stops which increases cycle life by preventing over stroking of the diaphragm
- Available in Stainless Steel

### Specifications:

Functional Performance	
<b>Design</b>	
Burst Pressure	9,000 psig (620 barg)
Proof Pressure	4,500 psig (310 barg)
<b>Flow Capacity</b>	$C_v$ 0.06
<b>Leak Rate: Internal</b>	Bubble Tight
<b>Leak Rate: External</b>	Bubble Tight
<b>Supply Pressure Effect</b>	0.01 psig/100 psig, (0.0007 barg/7 barg)
<b>Approximate Weight</b>	8.4 lbs. (without gauges)

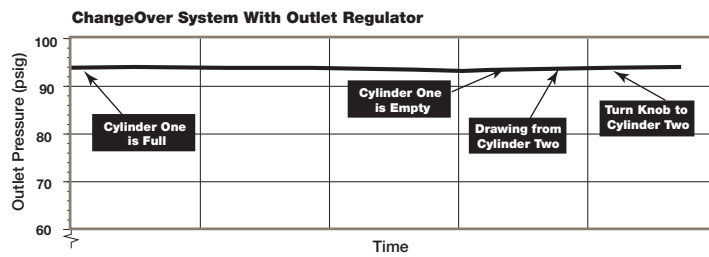
Operating Conditions	
Maximum Inlet	3,000 psig (207 barg)
Outlet	Up to 250 psig
<b>Temperature</b>	-40°F to 150°F (-40°C to 66°C)

Material of Construction	
Regulator Wetted	
Body	316L Stainless Steel (std)
Diaphragm	Hastelloy® C-22
Poppet	Hastelloy® C-276
Poppet Spring	Inconel® X750
Seat	PCTFE
Compression Member	Inconel® 625
Carrier	316L Stainless Steel
Washer Backup	316 Stainless Steel
O-Ring Backup	Fluorocarbon (FKM)
Fittings	316 Stainless Steel
Inlet Screen/Filter	316 Stainless Steel (60µm mesh screen, 10µm Filter)
Regulator Non-Wetted	
Cap	Nickel Plated Brass
Nut	316 Stainless Steel
Knob	ABS Plastic

Hastelloy® is a registered trademark of Haynes International, Inc.  
Inconel® is a registered trademark of Special Metals Corporation

# COSM Series

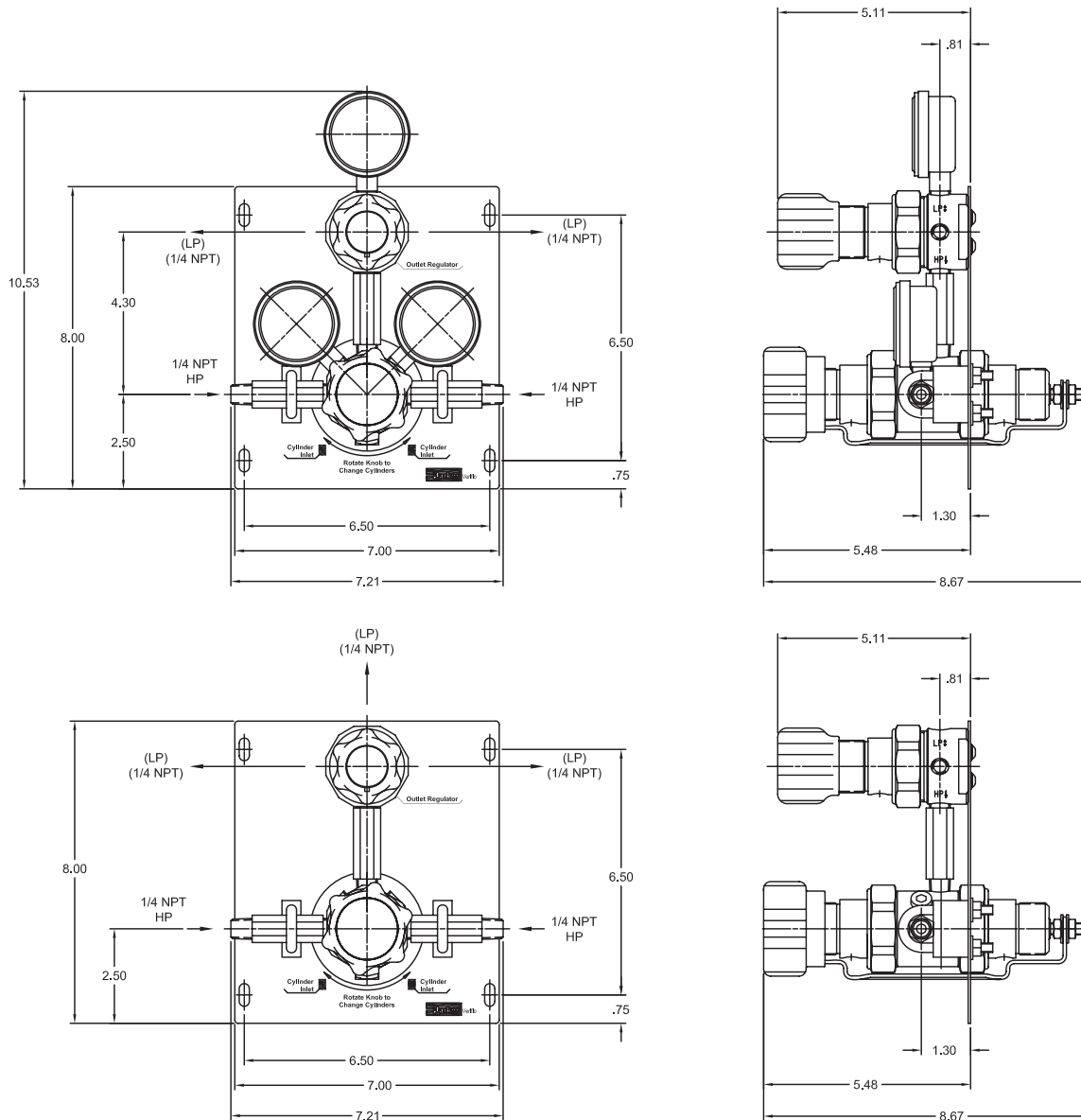
## Flow Curve:



## ChangeOver System Flow Rates:

Based on 400 psig Cylinder Change	
COSM Model	Maximum Recommended Flow
COSM 100	100 slpm N <sub>2</sub>
COSM 150	70 slpm N <sub>2</sub>
COSM 200	70 slpm N <sub>2</sub>
COSM 250	70 slpm N <sub>2</sub>

## Dimensional Drawing:



Pressure Control  
Systems

# COSM Series

## Ordering Information:

Building a Part Number: *Example: COSM100SORG*

Example Part Number:	<b>COSM</b>	<b>100</b>	<b>S</b>	<b>OR</b>	<b>G</b>
Ordering Parameters/Options:	Series	Pressure Settings	Material	Optional Regulator	Optional Material
Table Reference: (see below)	<b>A</b>	<b>B</b>	<b>C</b>	<b>D</b>	<b>E</b>

### A - Series

COSM	Mini ChangeOver System (COSM)
------	-------------------------------

### C - Material

S	316 Stainless Steel
---	---------------------

### B - Pressure Setting

100	100 psig
150	150 psig
200	200 psig
250	250 psig

### D - Outlet Regulator

OR	Outlet Regulator (Standard, no other options available)
----	---

### E - Optional Features

G	Gauges (Includes 2 inlet gauges and one outlet gauge)
---	---